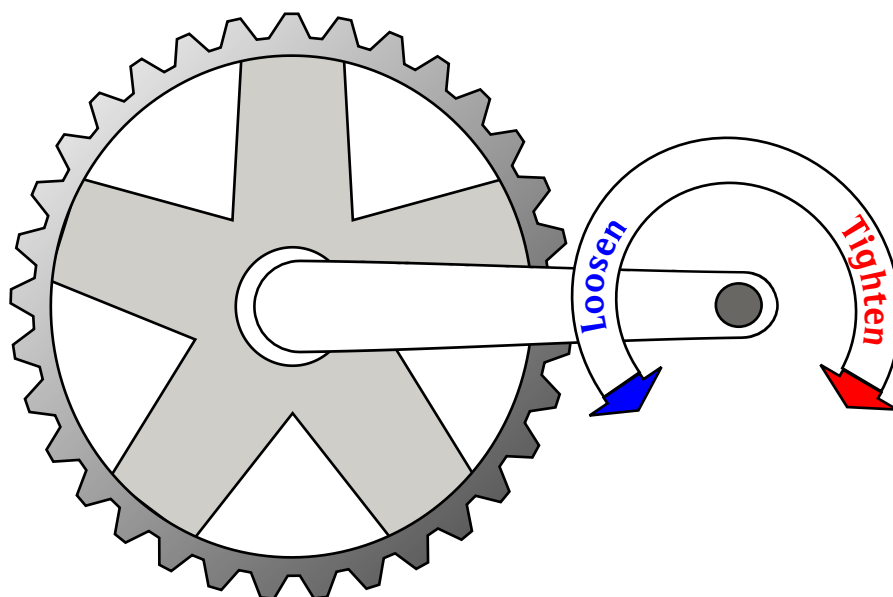
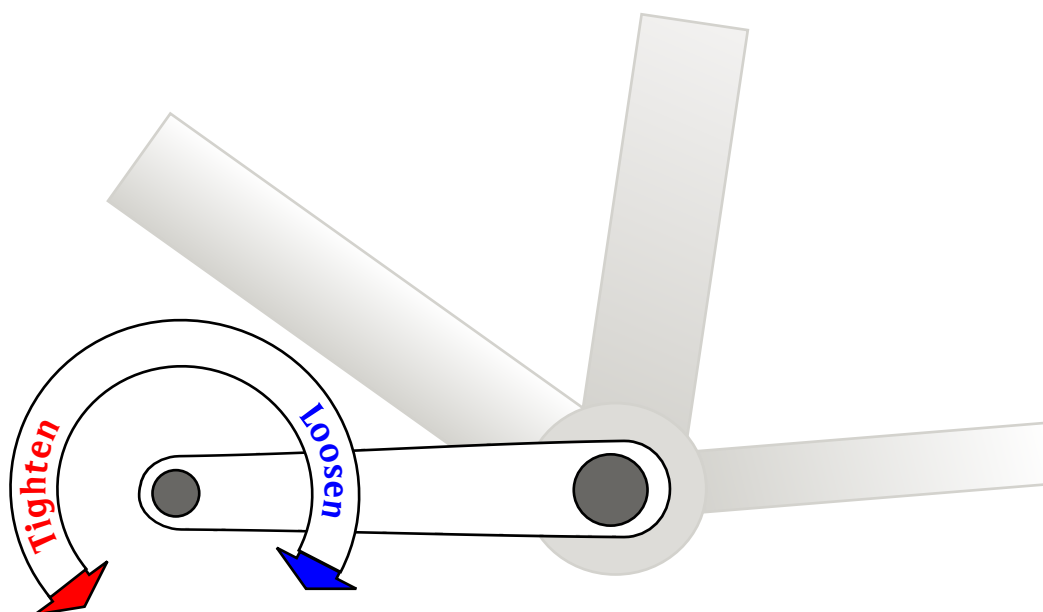


Dr David's Pedal Thread Aide Memoire

Right pedal has a normal thread. Turn clockwise to tighten.



Left pedal has a left hand thread. Turn anti-clockwise to tighten.



That means you always tighten the same way the crank rotates when pedaling, when looking directly at the crank/pedal.

Always grease the thread when fitting pedals